

MODELS: VET4P VET6P	VET8P VET7PGR	VET9PGR	BAR AND DISPLAY EXHIBITOR CASE AND PLATE
--------------------------------------	--------------------------------	----------------	---

General Strengths

- ✓ **Control systems.** Higher precision in managing temperature settings. Greater ability to adjust of temperature ranges as per the end user's requirement.
- ✓ **100% Tested.** All condenser units are tested 100%, in helium chambers to refrigerant leak detections.
- ✓ **Certified.** AENOR audited and certified by internationally recognized firm. ISO 9001:2008 (Quality); ISO 14001:2004 (Environmental); OSHAS 18001:2007 (Prevention and Worker Safety). Audited and Certified by **INTERTEK** for compliance with UL 471 and NSF 7.
- ✓ **Lighting.** LED lighting in the canopy and cabinet sides reduces the energy consumption by 80% and 90% compared to a traditional bulb.



VET 8 P

MODELS	Dimensiones (mm)			Trays GN 1/3x40	Nº Doors	Surface Exposure (m ²)	Chamber Volume (L)	Gross Volume (L)	Regimen Temp. (°C)	Ref.	Ref. Weight (gr.)	Net Weight (Kg.)
	Length	Depth	Height									
VET4P	1268	410	230	4	2	0,23	9,2	120	+4°C /+8°C	R134a	180	39
VET6P	1620	410	230	6	2	0,34	13,6	153	+4°C /+8°C	R134a	200	43
VET8P	1972	410	230	8	2	0,46	18,4	186	+4°C /+8°C	R134a	220	45
VET7PGR	1338	410	230	7	2	0,40	16,0	126	+4°C /+8°C	R134a	240	54
VET9PGR	1690	410	230	9	2	0,51	20,4	159	+4°C /+8°C	R134a	280	54

MODELS: VET4P VET6P	VET8P VET7PGR	VET9PGR	BAR AND DISPLAY EXHIBITOR CASE AND PLATE
--------------------------------------	--------------------------------	----------------	---

STANDARD FEATURES

➤ Exterior

- Exterior profile decoration of silver anodized aluminium,
- Front lift-up security tempered glass system,
- Independent exhibition from the condensing unit group (built-in group).

➤ Interior

- Interior of AISI 304 Stainless Steel,
- Inner water-drainage of the display,
- Illumination LED in the profile superior.

➤ Insulation

- Insulation by free CFC's polyurethane foam high-pressure injected with density 40 Kg/m³,
- Zero ODP and Low GWP.

➤ Doors

- Suspended sliding rear doors.

➤ Refrigeration

- Temperature regulated by a digital controller,
- Manual defrost,
- System of ventilated condensation
- System of Cold board+Tube Evaporation,
- Evaporation coil in the roof of the display,
- On the models with remote condensing unit, the incorporated control panel and the condensing unit should be placed no further than 2 meters away,
- Climate class 4 (30°C, 55HR).

➤ Electrical

- Electrical connection: 220 V / 1 ph / 50 Hz



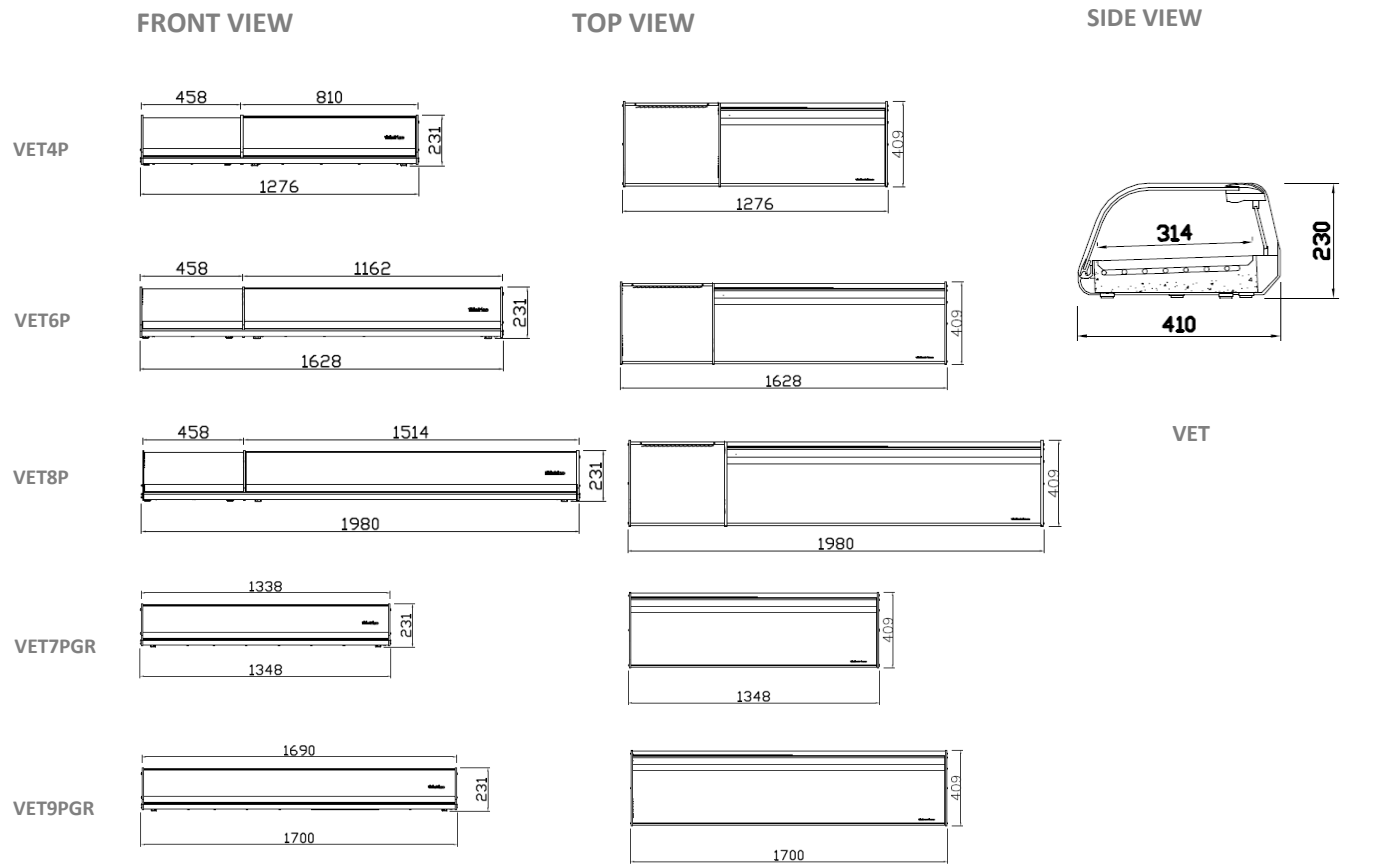
OPTIONAL

- Electrical connection 220 V / 1 ph / 60 Hz.,
- Electrical connection 115 V / 1 ph / 60 Hz.

MODELS	Dimensions Palletizing (mm)			Crated Weight (Kg.)	Power (W)	Comp. (HP)	Cooling Power (W to -10°C)	Cons. (kWh/24h)	Inten. (A)
	Length	Depth	Height						
VET4P	1310	450	400	49	130	1/6	140	2,1	0,9
VET6P	1700	450	400	55	190	1/6	140	3,0	1,08
VET8P	2000	450	400	56	200	1/6	140	3,2	1,14
VET7PGR	1450	450	400	62	200	1/6	140	3,2	1,14
VET9PGR	1800	450	400	63	210	1/6	140	3,4	1,39

MODELS: VET4P VET6P	VET8P VET7PGR	VET9PGR	BAR AND DISPLAY EXHIBITOR CASE AND PLATE
--------------------------------------	--------------------------------	----------------	---

GENERAL VIEW



CONNECTIONS

MODELS	A (mm)	B (mm)	C (mm)	D (mm)	E (mm)
VET4P	38,0	44	-	-	-
VET6P	38,0	44	-	-	-
VET8P	38,0	44	-	-	-
VET7PGR	38,0	44	-	-	-
VET9PGR	38,0	44	-	-	-

